

Deliver to:
 Name:
 Street:
 Town: Postal code:
 E-Mail:
 Tel: Fax:



Invoice to:
 Name:
 Street:
 Town: Postal code:
 E-Mail:
 Tel: Fax:

Order date:
 Purchase order:
 Number required:

Marked for:
 Sunrise order no:

- Order Calculation Built 4 me

- = Standard = Cost option
 ○ = No cost option

Part No: 47500000 / 47500001 IC

Max. user weight: 100 kg
USER WEIGHT kg

Mandatory information to ensure correct configuration

ATTITUDE - MODEL SELECTION - 5% Surcharge will be added to the total value of the order

ATT010801	<input type="checkbox"/> ATTITUDE Manual	Base Price	£3095
	30 speed gearing; Dual Drive with 3 speed integral gear hub and external 10 speed cassette and derailleur; trigger shifter; rear and front lamp; speedometer; docking system; disk brake; parking brake; handle; v-crank.		

ATT010802	<input type="checkbox"/> ATTITUDE Hybrid	Base Price	£4815
	10 speed cassette and derailleur; trigger shifter; 17Ah Lithium-ion battery; motor support up to max 25kph; front and rear lamp; docking system; stand with wheels, handle; v-crank, disk brake; parking brake; speedometer integrated in control display.		

- ATT072102 ● Connect Display - coloured, includes smartphone connectivity via Bluetooth

FMG-MJ02-3187-02 **B4Me option: Tetraplegia operation for Neodrives power unit (1)**

ATT010803	<input type="checkbox"/> ATTITUDE Power	Base Price	£4540
	Speed 6 kph (standard); handlebar; disk brake; 9Ah Lithium-ion battery front and rear lamp; docking system; speedometer integrated in control display; stand with wheels; parking brake.		

- ATT072111 ● Hand throttle position right side

- ATT072112 ○ Hand throttle position left side

WHEELCHAIR MODEL - which will be used in combination with the ATTITUDE

Sunrise Wheelchairs	
<input type="checkbox"/> Life T	(fixed front frame only)
<input type="checkbox"/> Life RT	(fixed front frame only)
<input type="checkbox"/> Life	(fixed front frame only)
<input type="checkbox"/> Life R	(fixed front frame only)
<input type="checkbox"/> Neon	(fixed front frame only)
<input type="checkbox"/> Xenon/Xenon ²	(fixed front frame only)
<input type="checkbox"/> Argon ²	
<input type="checkbox"/> Helium	
<input type="checkbox"/> RGK Tiga (2)	

Other Wheelchairs	
<input type="checkbox"/> Kuschall K-serie; KSL (2)	216
<input type="checkbox"/> Kuschall Advance, Champion (2)	216
<input type="checkbox"/> Otto Bock Avantgarde CS/CLT (2/3)	216
<input type="checkbox"/> Otto Bock Motus CS (2/3)	216
<input type="checkbox"/> Meyra Avanti Pro (2)	216
<input type="checkbox"/> Meyra Hurricane (2)	216
<input type="checkbox"/> Pro Activ Traveler (2)	216
<input type="checkbox"/> Pro Activ Speedy (2)	216
<input type="checkbox"/> Progeo Joker (2)	216
<input type="checkbox"/> Panthera S2, S3, U2, U3, (1) (4)	216
<input type="checkbox"/> Panthera U2 Light, U3 Light (1) (4)	216

ORDER PROCESS INFORMATION

ATT090213	<input type="checkbox"/> ATTITUDE only - without a related wheelchair order	
ATT090214	<input type="checkbox"/> ATTITUDE with wheelchair order - on a separate wheelchair order form	P.O.No.
FMG-MA03-3201-01	- B4Me option: Adaptation link -2 to + 6 cm (1)	178

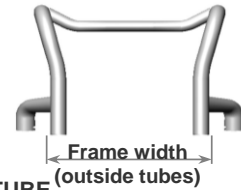
- (1) Built-4-me - different lead-times and discount structures
 (2) Please note: V-Frames are only suitable up to 5°; please check with your authorised dealer if there are any further NoGo's
 (3) Only possible for frames without inset
 (4) Requires extended hook bracket for short chairs to position away from the body

ATTITUDE

- = Standard
- = No cost option
- = Cost option

WHEELCHAIR FRONT FRAME WIDTH - measured from outside front frame tube to outside front frame tube

26 cm	28 cm	30 cm	32 cm	34 cm	36 cm	38 cm
○	○	○	○	○	○	○
40 cm	42 cm	44 cm	46 cm			
○	○	○	○			



MEASURED FROM OUTSIDE FRONT FRAME TUBE TO OUTSIDE FRONT FRAME TUBE

	Manual	Hybrid	Power	
--	--------	--------	-------	--

FORK

ATT080035	● Fork, angle and depth-adjustability of crank-position	✓	✓		
ATT080034	○ Fork, Standard (not angle and depth-adjustable on crank-position)	✓	✓	✓	

TYRES

ATT070104	○ Tyre, pneumatic, puncture proof, tread, Schwalbe Marathon Plus Evolution	✓	✓	-	
ATT070110	○ Tyre, pneumatic, tread, Mountainbike	✓	✓	✓	
ATT070111	○ Tyre, pneumatic, tread, Big Apple	-	-	✓	

GEAR AND SHIFTERS

Dual drive (3 x 10 speed) for Manual

ATT070046	● Gear, dual drive, 3 speed integral hub, 10 speed cassette / derailleur	✓	-	-	
ATT070045	● Shifter, trigger	✓	-	-	
ATT070043	○ Gear hub, 8 speed, coaster brake	✓	-	-	

10 speed cassette with derailleur for Hybrid

ATT070045	● Shifter, trigger	-	✓	-	
FMG-MJ02-3187-01	B4Me option: Tetraplegia operation for universal shifter (2)	-	✓	-	119

CRANK AND HANDLE - special length, widths and shapes via B4Me

ATT080022	● V-crank, standard Length: 17 cm Width: 47 cm	✓	✓	-	
ATT080023	○ Handle, vertical, 10° angle, round, diameter 30 mm	✓	✓	-	
ATT080027	□ Quad, hand support (Only available with ATT080023)	✓	✓	-	130
ATT080028	□ Quad, arm support (Only available with ATT080023)	✓	✓	-	130
ATT080024	○ Handle, vertical, 10° angle, round, diameter 40 mm	✓	✓	-	
ATT080025	□ Handle, vertical, 25° angle, oval, diameter 37 x 21 mm	✓	✓	-	130
ATT080026	□ Handle, vertical, 25° angle, oval, diameter 47 x 32 mm	✓	✓	-	130

HANDLEBAR & STEM - ATTITUDE Power only: ergonomic handlebar & height-adjustable stem standard

ATT080050	○ Stem standard; height-adjustable	-	-	✓	
ATT080051	○ Stem multi-adjustable; height- and depth adjustable	-	-	✓	

DISC BRAKE - disc-diameter 180 mm, parking brake: V-brake (Power: 2nd caliper on the disc)

ATT060050	● Brake (manual) (not with gear hub, 8 speed, coaster brake)	✓	✓	✓	
ATT060052	○ 2 Driving brakes plus parking brake (3) (not with gear hub, 8 speed, coaster brake)	✓	✓	-	
ATT060053	□ Performance brake lever (offers improved adjustability of the brake)	✓	✓	✓	54
ATT060102	● Brake lever mounted to right handle	✓	✓	✓	
ATT060101	○ Brake lever mounted to left handle	✓	✓	✓	
ATT060051	□ Brake, backpedal actuation (4) (not with gear hub, 8 speed, coaster brake)	✓	✓	-	324

(1) only for 10 speed derailleur, trigger for 3 speed hub.

(2) Built-4-me - different lead-times and discount structures; only in combination with ATT070044

(3) parking brake as rim brake and not as disk brake

(4) not with ATT080035 Fork, angle and depth-adjustability of crank-position

ATTITUDE				Manual	Hybrid	Power	£
<ul style="list-style-type: none"> ● = Standard ○ = No cost option □ = Cost option 							
SPEED - Selection for ATTITUDE Power only							
ATT000025	● Speed, max. 6 kph	(1)		-	-	✓	
ATT000027	○ Speed, max. 10 kph	(1)		-	-	✓	
ATT000028	○ Speed, max. 15 kph	(1)		-	-	✓	
ATT000026	○ Speed, max. 21 kph	(1)		-	-	✓	
BATTERY - charger always included							
ATT160020	● Battery, Lithium-ion, 17Ah			-	✓	-	
ATT160021	● Battery, Lithium-ion, 9Ah			-	-	✓	
ATT160022	□ Battery, Lithium-ion, 13.4Ah			-	-	✓	270
ATT090088	□ Additional battery, Lithium-ion, 17Ah			-	✓	-	756
ATT090086	□ Additional battery, Lithium-ion, 9Ah			-	-	✓	648
ATT090087	□ Additional battery, Lithium-ion, 13.4Ah			-	-	✓	702
ATT090091	□ Additional charger, Hybrid			-	✓	-	108
ATT090089	□ Additional charger, Power			-	-	✓	108
ACCESSORIES							
ATT090074	● Front & rear lamp			✓	✓	✓	
ATT090080	● Speedometer	(integrated in the display for Hybrid and Power)		✓	✓	✓	
ATT090095	● Mudguard			✓	✓	✓	
ATT090067	□ Rear view mirror			✓	✓	✓	11
ATT090081	□ Bottle holder			✓	✓	✓	16
ATT090082	□ Low rider carrier for saddle bags			✓	✓	✓	54
ATT090024	□ High pressure pump (0 - 11 bar)			✓	✓	✓	32
ATT090084	○ Additional weight, removable, 5kg, to improve traction			✓	✓	✓	0
ATT090085	□ Bell			✓	✓	✓	5
ATT090041	□ Multi tool			✓	✓	✓	22
ATT090096	□ Protection foil			✓	✓	✓	43
PERSONALISE YOUR ATTITUDE (Colours for cranks and chain guards are only available options for Attitude manual and hybrid)							
COLOUR CHOICES	FRAME COLOUR	CHAIN GUARD COLOUR	CRANK COLOUR				
01 White RAL 9010	ATT100101 ○	ATT100801 ○	ATT100901 ○				
02 Brilliant Silver	ATT100102 ○	ATT100802 ○	ATT100902 ○				
03 Silver Matt	ATT100103 ○	ATT100803 ○	ATT100903 ○				
04 Silver	ATT100104 ○	ATT100804 ○	ATT100904 ○				
06 Sun Yellow	ATT100105 ○	ATT100805 ○	ATT100905 ○				
07 Brilliant Lime	ATT100106 ○	ATT100806 ○	ATT100906 ○				
08 Matt Lime	ATT100107 ○	ATT100807 ○	ATT100907 ○				
14 Blue	ATT100110 ○	ATT100810 ○	ATT100910 ○				
15 Brilliant Marine	ATT100111 ○	ATT100811 ○	ATT100911 ○				
16 Matt Marine	ATT100112 ○	ATT100812 ○	ATT100912 ○				
19 Brilliant Purple	ATT100113 ○	ATT100813 ○	ATT100913 ○				
20 Matt Purple	ATT100114 ○	ATT100814 ○	ATT100914 ○				
21 Red Ruby	ATT100115 ○	ATT100815 ○	ATT100915 ○				
22 Brilliant Red	ATT100116 ○	ATT100816 ○	ATT100916 ○				
23 Matt Red	ATT100117 ○	ATT100817 ○	ATT100917 ○				
24 Tutti Frutti Orange	ATT100118 ○	ATT100818 ○	ATT100918 ○				
27 Graphite metallic	ATT100120 ○	ATT100820 ○	ATT100920 ○				
28 Platinum metallic	ATT100121 ○	ATT100821 ○	ATT100921 ○				
29 Black	ATT100122 ○	ATT100822 ○	ATT100922 ○				
31 Matt Black	ATT100123 ○	ATT100823 ○	ATT100923 ○				
32 Signal White	ATT100124 ○	ATT100824 ○	ATT100924 ○				
33 Pink	ATT100125 ○	ATT100825 ○	ATT100925 ○				
34 Dark Chocolate Metallic	ATT100126 ○	ATT100826 ○	ATT100926 ○				
35 Skyblue	ATT100127 ○	ATT100827 ○	ATT100927 ○				
36 Cyan-Metallic	ATT100128 ○	ATT100828 ○	ATT100928 ○				
37 Marsred (Orange)	ATT100129 ○	ATT100829 ○	ATT100929 ○				
39 Cappuccino	ATT100131 ○	ATT100831 ○	ATT100931 ○				
40 Kiwi	ATT100132 ○	ATT100832 ○	ATT100932 ○				
41 Flamingo-Glitter	ATT100133 ○	ATT100833 ○	ATT100933 ○				
42 Matt Anthracite	ATT100134 ○	ATT100834 ○	ATT100934 ○				
43 Azure Blue	ATT100135 ○	ATT100835 ○	ATT100935 ○				
You can choose separate colours for the frame, the cranks and the chain guard.				<i>(colours for cranks and chain guard only for ATTITUDE Manual & Hybrid)</i>			
(1) only for countries which allow a higher speed or for use on private ground only. This option can only be ordered if the confirmation on the back page is signed by the endorser!							

ATTITUDE

● = Standard ○ = No cost option □ = Cost option

STICKER COLOURS - for "ATTITUDE" and "Manual / Hybrid / Power" on the fork

ATT100550	●	Black	
ATT100551	○	Silver	
ATT100552	○	Orange	

COMMENTS FOR SPECIAL BUILD - please apply for a quote; different lead time and discount structure.



Quickie ATTITUDE - Basic Price

Option price

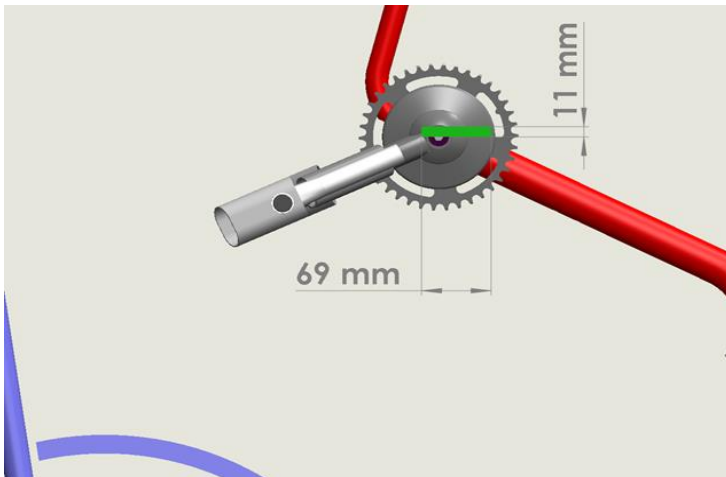
Total Price (Not Including 5% Surcharge)

£
£
£

ATTITUDE

ATTITUDE MANUAL & HYBRID ADJUSTMENT AND SET-UP

ATTITUDE Manual / Hybrid with Standard fork: crank position range (adjustment via spacers in the upper docking clamp)

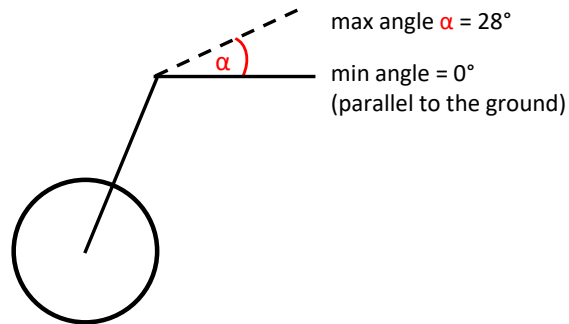
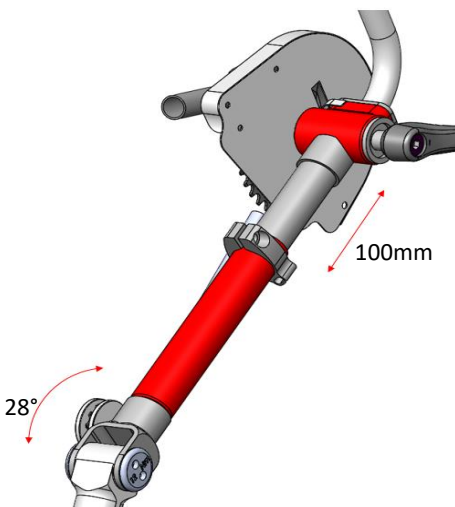


ATTITUDE MANUAL & HYBRID fork: Angle and depth adjustability

ATTITUDE Manual / Hybrid - crank position range with option ATT080035 "Fork, angle and depth-adjustability of crank-position "

Depth adjustability: 100mm (+/- 50mm compared to standard fork) continuously adjustable

Angle adjustment: from 0° (parallel to the ground) to 28° continuously adjustable



B4ME-OPTIONS

FMG-MJ02-3187-02 - Tetra operation for ATTITUDE Hybrid

FMG-MA03-3201-01 Adaptation link -2 to + 6 cm



To move the pedal position 2 cm closer or up to 6 cm further away

ATTITUDE



Fork for Attitude Manual & Hybrid, angle and depth-adjustability of crank-position

TYRES



Tyre, pneumatic, puncture proof, tread, Schwalbe Marathon Plus Evolution



Tyre, pneumatic, tread, Mountainbike



Tyre, pneumatic, tread, Big Apple



Stem, multi adjustable (ATTITUDE Power only)

SHIFTER AND HANDLE



Shifter, trigger



Shifter, universal, 1 lever



FMG-MJ02-3187-01
Tetra operation



Handle, vertical, 10° angle, round, diameter 30 mm



Quad, hand support



Quad, arm support



Handle, vertical, 25° angle, oval, diameter 30 mm

DISC BRAKE



Performance brake lever

ATTITUDE

ACCESSORIES



Brake, backpedal actuation



Mudguard, bolt on, black



Multi tool



Rear view mirror



Additional weight, removable, 5 kg, to increase traction



Bell



Connect Display

Connects with your smartphone (download of neodrive app necessary) Records trip data such as average speed, maximum speed, trip distance, and total distance.



High pressure pump (0 - 11 bar)



Low rider carrier



Bottle holder

LETTER OF ACKNOWLEDGEMENT

We would like to point out that using the 10/15/21 Kph power version of the attitude in road traffic is only permitted in certain countries, otherwise it may only be used on private land.

In the absence of approval, in accordance with the road traffic laws, the *ATTITUDE Power* version 10/15 and 21kph version may not be driven on public roads or even cycle ways. You need to check your country specific legislation about the use and insurance duty of the attitude 10/15/21kph power version.

When placing an order, please sign below to confirm that you have understood the information and that we should deliver the 10/15/21kph version of Attitude Power.

If you want to use the *ATTITUDE Power* 10/15/21kph versions in another country, you must first obtain information about the regulations and legislation in force there.

I hereby confirm, that I am aware of these circumstances and that I will strictly the country specific legislation.

Customer signature and date: _____